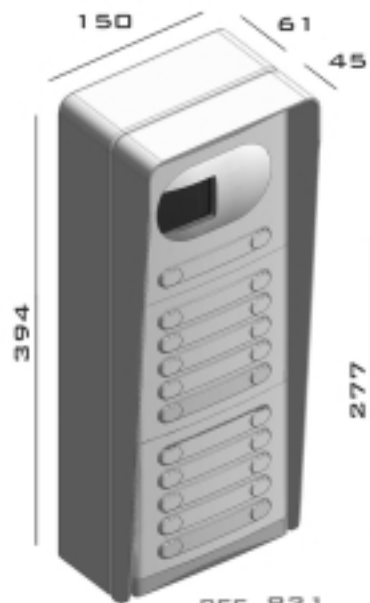
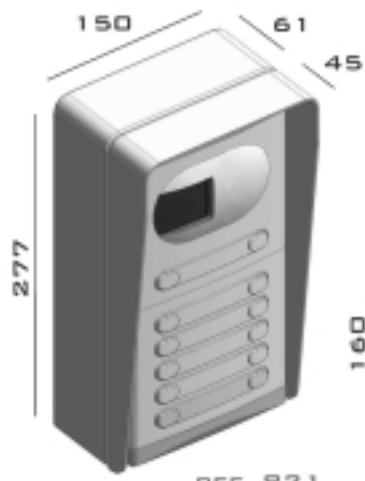


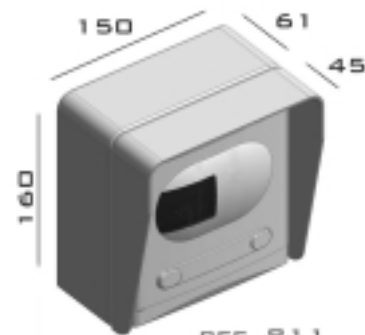
**CAJA SUPERFICIE
SURFACE BOX**



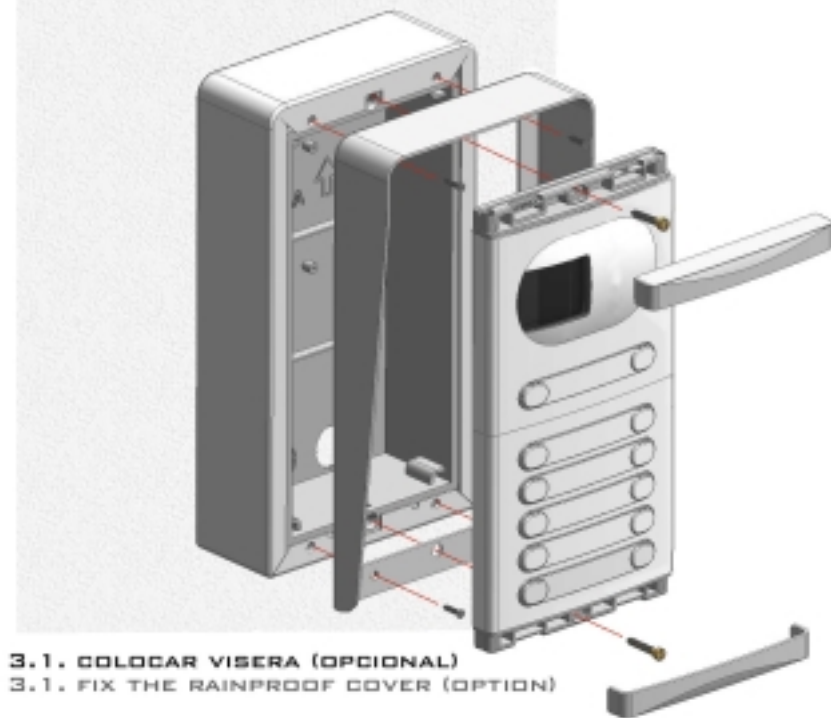
REF. 831



REF. 821

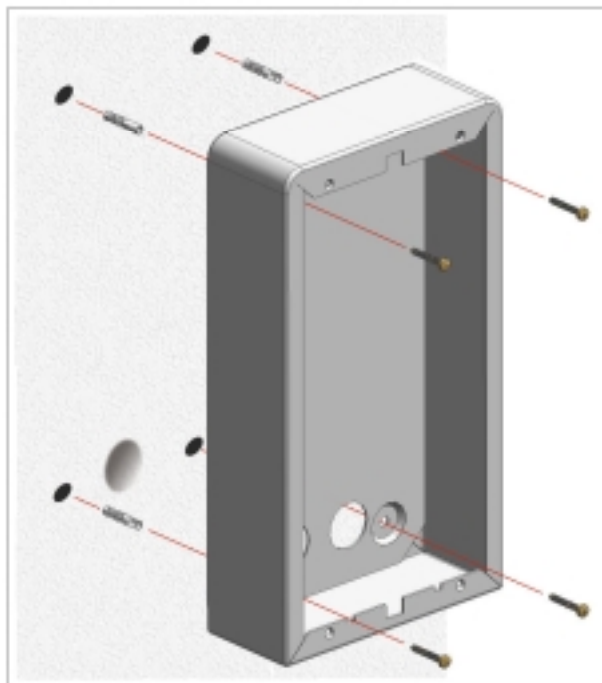


REF. 811

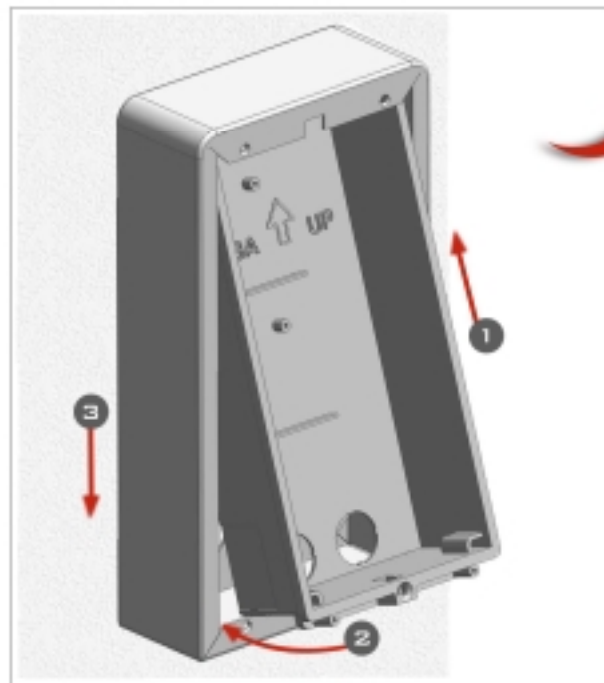


3.1. COLOCAR VISERA (OPCIONAL)
3.1. FIX THE RAINPROOF COVER (OPTION)

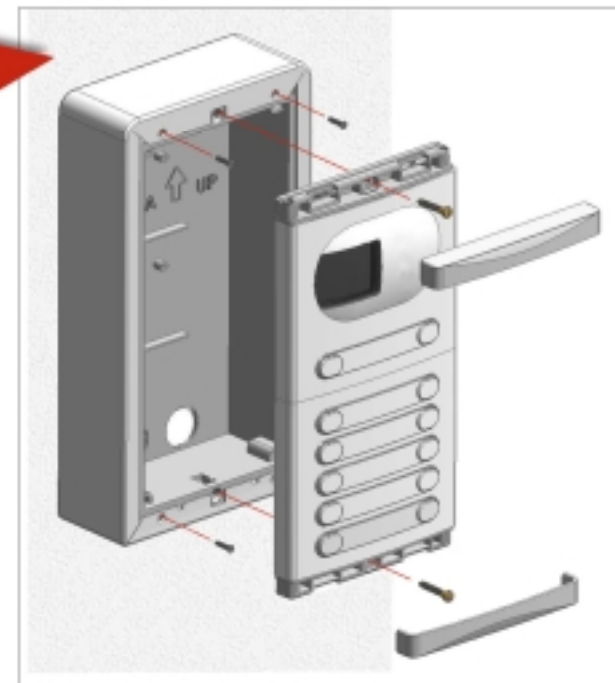
1. MARCAR, TALADRAR (Ø6) Y ATORNILLAR
1. MARK, DRILL (Ø6) AND FIX

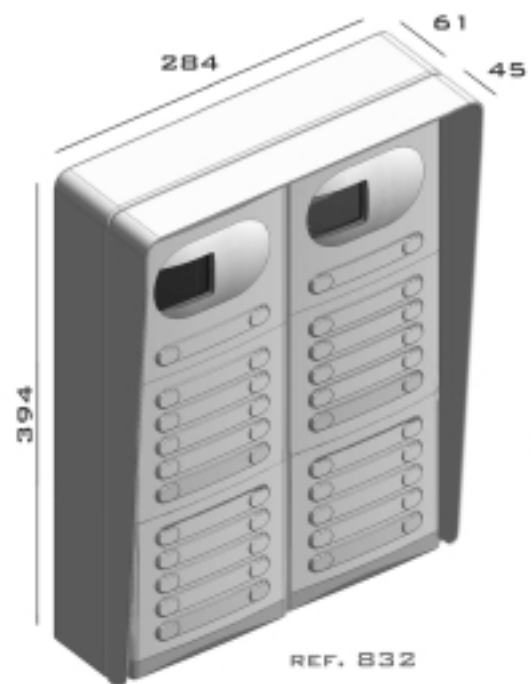


2. INTRODUCIR CAJA DE EMPOTRAR
2. INSERT THE EMBEDDING BOX

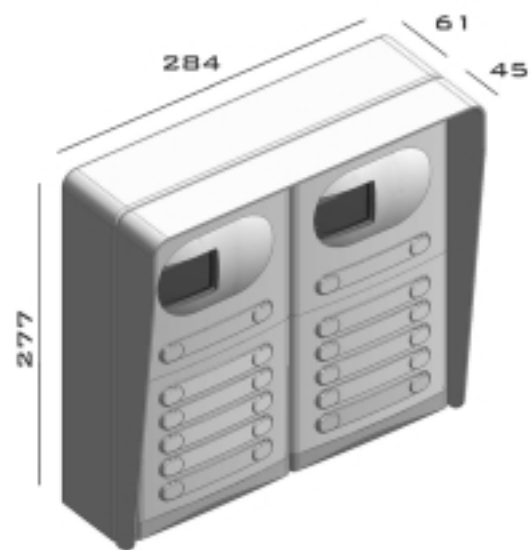


3.2. COLOCAR PLACA
3.2. FIX THE PANEL





REF. 832



REF. 822

CAJA SUPERFICIE
SURFACE BOX



