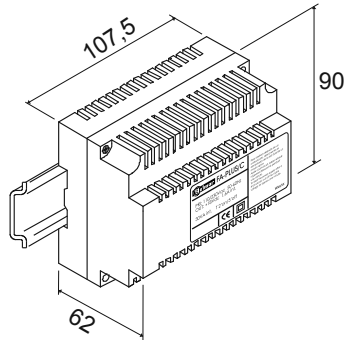


# Golmar

## FA-V2PLUS

### Power supply



<b>Golmar</b>		To reset the power supply after a short-circuit, cut off the mains voltage for approx one minute.
PRI: 110/230VAC 50-60Hz OUT DC: 25,5VDC 1,2A int. 30VA int. T 2'on / 5'off		
230V	110V	0V
		Wxxx/xx

#### TECHNICAL SPECIFICATIONS

INPUT	110/230 Vac ± 10% 50/60 Hz
POWER	30 VA
OUTPUT	25,5VDC 1,2A int.
INPUT PROTECTION	PTC
OUTPUT PROTECTION	<b>Overload and shortcircuit</b>
WORKING TEMPERATURE	-5°C ~ +40°C
DIMENSIONS	<b>6 DIN Modules</b>
WEIGHT	810 gr.

Technical specifications and safety information.

Additional technical details and safety instructions.

#### INSTRUCTIONS FOR THE INSTALLER

- ©This device has been exclusively designed to be used on Golmar V2Plus video systems. Golmar will not be responsible of the possible damages caused for an improper use or when used for other purposes than the specified.
- ©The power supply must be installed in a dry and protected place with enough ventilation.
- ©After unpackaging, check that the device is in good conditions.
- ©Install the power supply according to your country rules.
- ©Do not use excessive force when tightening the power supply connector screws.
- ©The device must be protected by using a thermo-magnetic circuit breaker. The power supply must be unplugged from mains during installation or maintenance progresses.
- ©Once the power supply has been installed, place the supplied protection cover on the mains input connector (230 110 0).
- ©Before switching the system on, check that there is no shortcircuit on the installation.
- ©Check the output power supply voltage between '-' and '+' terminals: it should have 25,5 VDC (The installation '-' and '+' wires must be connected to terminals '-' and '+' of the power supply).
- ©In case of system failure, unplug it from mains by using the thermo-magnetic circuit breaker and contact an authorised Golmar after sales service.
- ©This document must be kept together with the device.