



T201EN

rev.0104

Audio  
door entry system  
Kits  
4 + 'n' wires installation

Rock Series

Instructions manual

## INTRODUCTION

1

First of all we would like to thank and congratulate you for the purchase of this product manufactured by Golmar.

The commitment to reach the satisfaction of our customers is stated through the ISO-9001 certification and for the manufacturing of products like this one.

Its advanced technology and exacting quality control will do that customers and users enjoy with the legion of features this system offers. To obtain the maximum profit of these features and a properly wired installation, we kindly recommend you to expend a few minutes of your time to read this manual.

## SYSTEM CHARACTERISTICS

- ⇨ Audio system with 4 + N wires installation.
- ⇨ Weatherproof (IP-44) and vandal resistant (IK-09) door panel.
- ⇨ Just 1 TF-104 transformer (12Va.c., 1.5A).
- ⇨ Electronic call with acoustic acknowledgement signal.
- ⇨ a.c. lock releases activation.
- ⇨ Up to three telephones in the same apartment.

## SYSTEM OPERATION

- ⇨ To make a call the visitor should press the push button corresponding to the apartment he wishes to contact. An acoustic tone will be heard confirming the call as the push button is pressed. At this moment the call will be received at the telephone in the dwelling.
- ⇨ To establish communication pick up the telephone handset.
- ⇨ To open the door, press the door release push button at any moment.

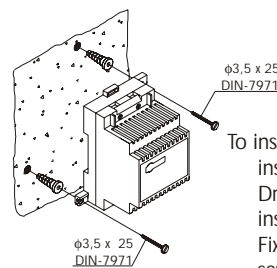
## STARTING RECOMMENDATIONS

- ⇨ Do not use excessive force when tightening the transformer connector screws.
- ⇨ Install the equipment without the power connected. Disconnect from power before any system modification. Check that the input voltage is lower than 230Va.c.
- ⇨ Before to connect the system, check the connections between door panel and telephones, and the transformer connection. Do always follow the enclosed information.

2

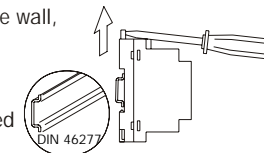
## POWER SUPPLY INSTALLATION

Installing the TF-104 transformer.



The transformer must be installed in a dry and protected place. It's recommended to protect the transformer by using a thermo-magnetic circuit breaker.

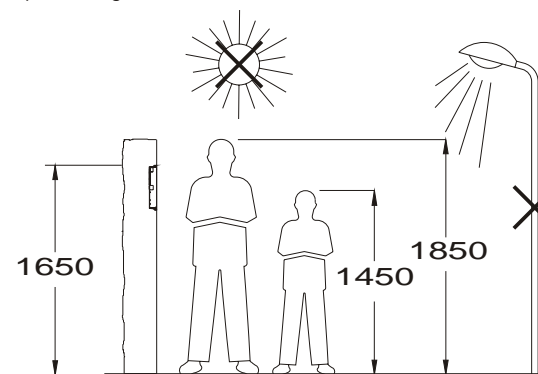
To install the transformer directly on the wall, insert the fixing flanges. Drill two holes of Ø6mm. and insert the wallplugs. Fix the transformer with the specified screws.



The transformer can be installed on a DIN guide (3 units) simply pressing it. To disassemble the transformer from the DIN guide, use a plain screwdriver to lever the flange as shown on the picture.

## DOOR PANEL INSTALLATION

Embedding box positioning.

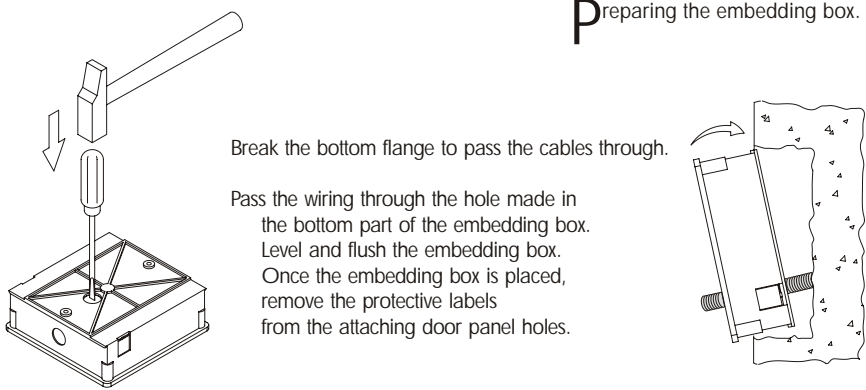


The upper part of the door panel should be placed at 1,65m. height roughly. The hole dimensions are:

131(An) x 131(AI) x 45(P) mm.

The door panel has been designed to be placed under most of the environmental conditions. However it's recommended to take additional cautions like rainproof covers.

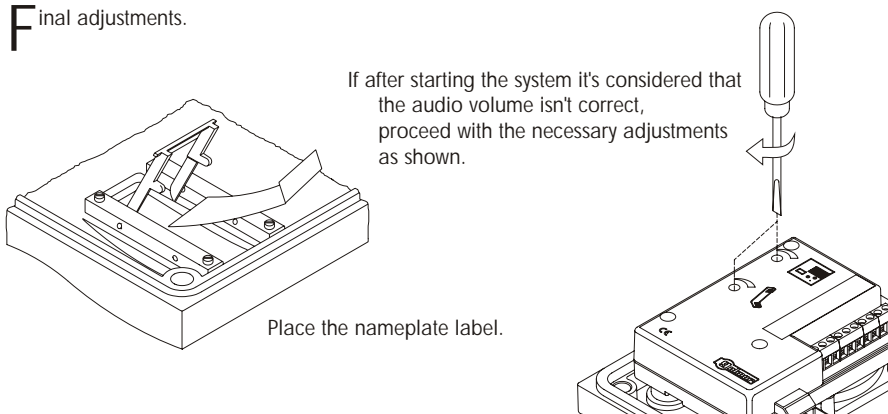
**P**reparing the embedding box.



Break the bottom flange to pass the cables through.

Pass the wiring through the hole made in the bottom part of the embedding box. Level and flush the embedding box. Once the embedding box is placed, remove the protective labels from the attaching door panel holes.

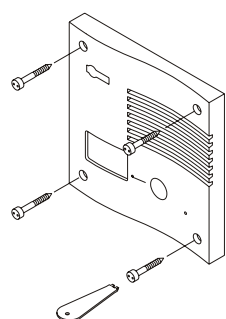
**F**inal adjustments.



If after starting the system it's considered that the audio volume isn't correct, proceed with the necessary adjustments as shown.


Place the nameplate label.

**C**lose the door panel.



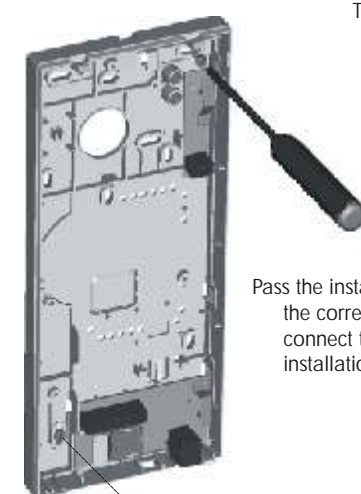
Fix the door panel by using the supplied screws.

**D**escription of the T-900 and T-902 telephones.




a. Telephone handset.  
b. Speaker grille.  
c. Microphone hole.  
d. Subjection hole.  
e. Telephone cord connectors.  
f. Additional push button (T-902 only).  
g. Door release push button.  
h. Hook switch.

To open the telephone insert a plain screwdriver into the slots and rotate it as shown.

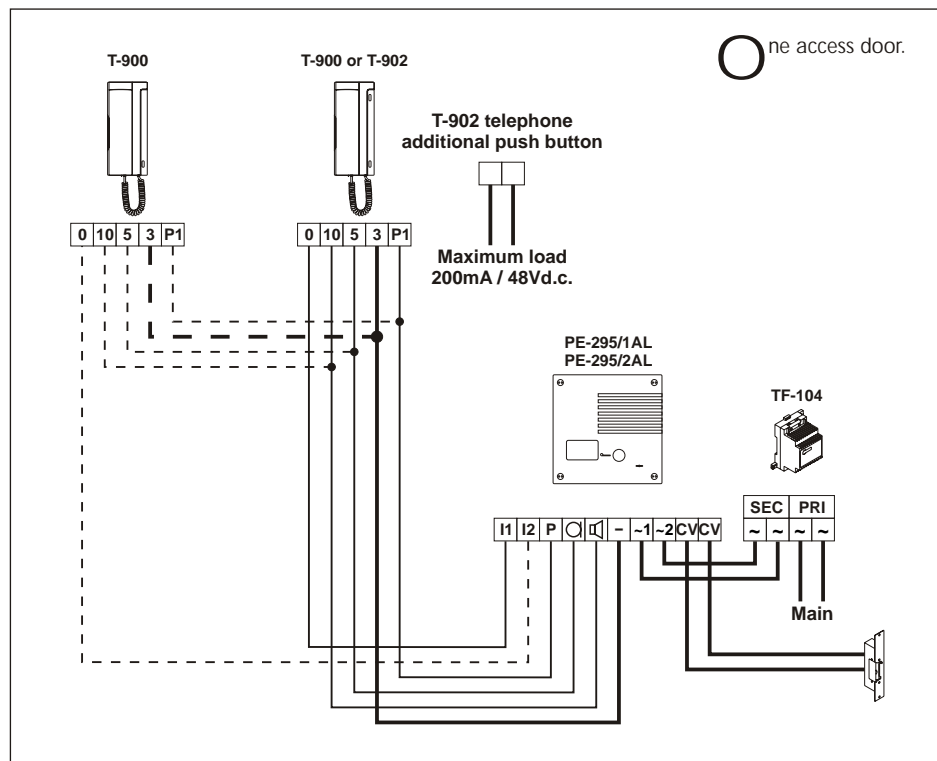


Avoid to place the telephone near to heating sources, in dusty locations or smoky environments. The telephone can be fixed using an electrical embedding box or directly on the wall, as shown on the picture. If the telephone will be installed directly over the wall, drill two holes of Ø6mm. on the specified positions, using 6mm. wallplugs and Ø3,5 x 25mm. screws.

Pass the installation wires through the corresponding hole and connect them as shown on the installation diagrams.



Close the telephone as shown on the picture. Once the telephone is closed, connect the handset using the telephone cord and put it on the cradle.



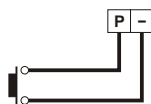
## Sections chart

For longer distances than the specified contact with your distributor.

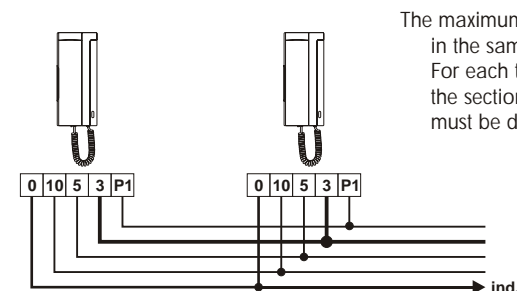
Terminal	Maximum distance	
	100m.	300m.
0, I1, I2, 5, C1, 10, P1	0,25mm <sup>2</sup>	0,50mm <sup>2</sup>
-, 3	0,50mm <sup>2</sup>	1,00mm <sup>2</sup>
~1, ~2, CV	1,00mm <sup>2</sup>	2,50mm <sup>2</sup>

## Lock release activation using an external push button.

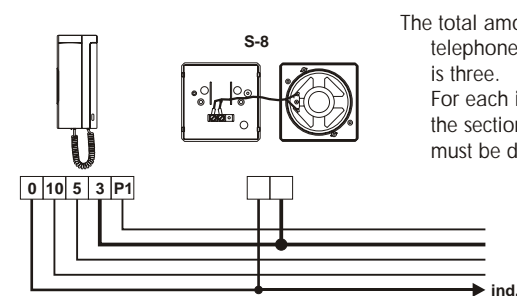
The lock release can be activated at any moment by using an external push button, that must be connected between '-' and 'P' terminals of the sound module. This function will allow to exit from the building being not necessary the use of a key.



## Parallel telephones installation.



## Installation of S-8 call repeaters.



# TROUBLESHOOTING HINTS

- ⇒ Nothing operates.
  - ☞ Check the output transformer voltage between SEC terminals: it should have 12 to 17Va.c. If not, disconnect the transformer from the installation and measure again. If it's correct now, it means there is a short circuit in the installation: disconnect the transformer from mains and check the installation.
- ⇒ Inappropriate audio level.
  - ☞ Adjust the level volumes as shown on page 3. In case of feedback, reduce the audio levels until feedback fade out.
- ⇒ Door open function no operates.
  - ☞ Disconnect the lock release from the sound module and short-circuit terminals '-' and 'P': at that moment the output voltage between terminals 'CV' should be 12Va.c. If it's so check the lock release, its wiring and the wiring of the terminal 'P' from the sound module to the telephones. If these tests don't solve the problem, replace the door panel.



[golmar@golmar.es](mailto:golmar@golmar.es)  
[www.golmar.es](http://www.golmar.es)



Golmar se reserva el derecho a cualquier modificación sin previo aviso.  
Golmar se réserve le droit de toute modification sans préavis.  
Golmar reserves the right to make any modifications without prior notice.